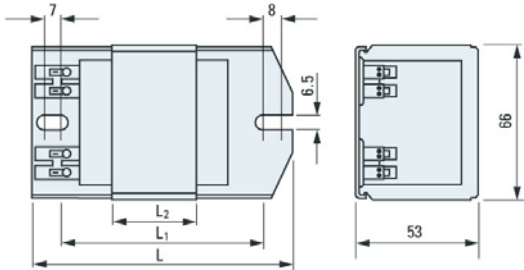
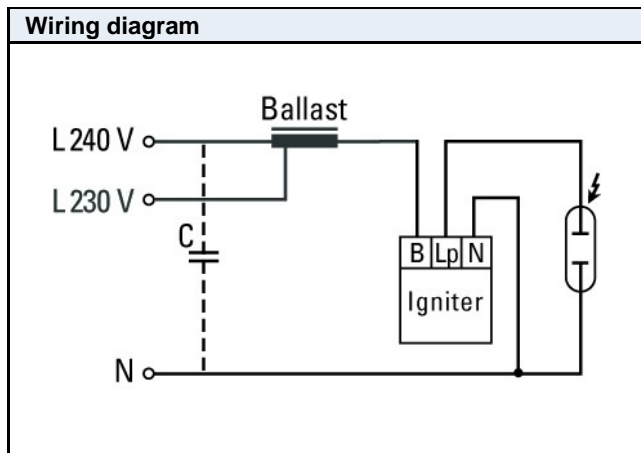


100 HI/HS 230/240V/50Hz U XA

Order no.: 10022431

Description		Technical data		
Ballast for high-pressure sodiumvapour (HS) and metal halide lamps (HI) <ul style="list-style-type: none"> • for installation in luminaires • vacuum impregnated • screw terminal 0.75...2.5 mm² • protection class I • without thermal switch 		Lamp power	W	100
		Lamp current	A	1.2
		Nominal voltage	V	230 / 240
		Frequency	Hz	50
		Compensated lamp current	A	0.55/0.53
		Compensating capacitor	µF	12
		Power factor	λ	0.42
		Max. winding temperature tw	° C	130
		Increase in coil temperature during operation Δt	K	75
		Weight	kg	1.4

Dimensions			
			
L [mm]	112	W [mm]	66
L ₁ [mm]	86	H [mm]	53
L ₂ [mm]	42		



Lamps	
HI:	HI 100 W
HI-CE:	HI-CE 100 W
HS:	HS 100 W

Compliances and markings	
Conforms to:	
EN 61 347-1, EN 61 347-2-9	
EN 60 023	
