

100-240V



Approval Marks



Certified

EN 61347-1:2008
 EN 61347-2-13:2006
 EN 62384:2006+A1:2009

Complied

EN61547:1995+A1:2000 (EMS)
 EN55015:2006+A1:2007
 EN61000-3-2:2006
 EN61000-3-3:1995+A1:2001+A2:2005

Electronic

Parameter	Conditions	Min	Nom	Max	Unit
I/P Voltage Range		90	100-240	264	Vac
Input frnquency		-	50-60	-	Hz
Ouput power	LOW POWER LED	0	-	36	W
Input current(lin)	25 °C,Nominal Input@230VAC	-	210	-	mA
Output Voltage(Vout)		22.8	24	25.2	V
Output current	25 °C,Nominal	0	-	1500	mA
Power factor	Full load	-	0.90	-	
	Short Circuit Protection				
	Over Temperature Protection				
Ambient Temp.		-20	-	+50	°C

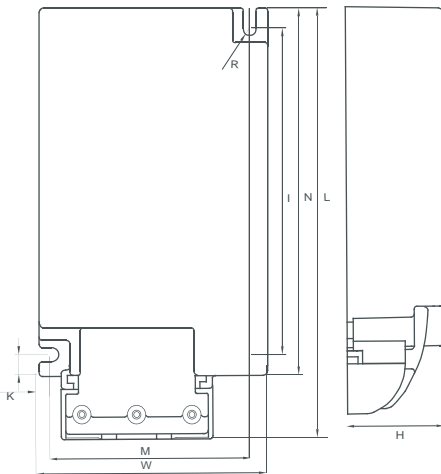
Lamp Type Low power LED

Application Space

Indoor Use
 (Low Humidity, No Condensation)

Physical

Parameter



- L : 128.9 mm K : 6 mm
- M : 65 mm R : 2.1 mm
- W : 75.4 mm I : 97 mm
- H : 32 mm N : 108.9 mm
- Slot On One Side Allowing Alignment : M+/-3 mm
- Terminal Block : Screw Type
- Housing Material : Plastic, No sharp edges
- Soldering : Lead-Free, Comply With RoHS
- Label : Surface Print

Wiring Diagram

