

100V-240V AC



Approval Marks



Certified

EN 61347-1:2008
 EN 61347-2-13:2006
 EN 62384:2006

Electronic

Parameter	Conditions	Min	Nom	Max	Unit
I/P Voltage Range		90	230	264	Vac
Input Frequency		47	50-60	63	Hz
Output Power(Pout)	Regular LED	0	-	12	W
Input Current(Iin)	25°C, Nominal Input@230VAC	-	150	-	mA
Output Voltage(Vout)		22.8	24	25.2	Vdc
Output Current(Iout)	25°C, Nominal Input	-	-	500	mA
Power Factor	Full Load	-	0.40	-	
Protection	Overload protection				
	Short Circuit Protection				
	Over Heat Protection				
Ambient Temp.		-20	-	+50	°C
Case Temp. (Tc)	Normal Conditions	-	-	+85	°C

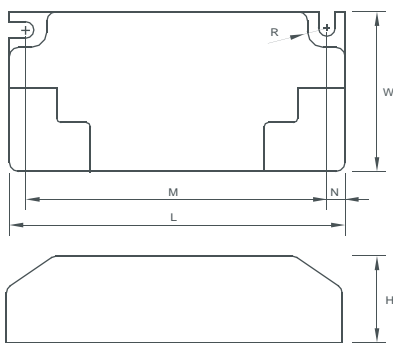
Lamp Type Regular LED 0.04~0.1W

Application Space

Indoor Use
 (Low Humidity, No Condensation)

Physical

Parameter



- L : 85 mm H : 22 mm
- M : 76.2 mm K : mm
- N : 4.6 mm R : 2.1 mm
- W : 40.4 mm Slot On One Side Allowing Alignment : M+/-3 mm
- Tolerance : $\geq 0 \sim 100 \geq \pm 0.5\text{mm}$
 $100 \geq \pm 1 \text{ mm}$
- Terminal Block : PRI : Screw Type
 SEC : Screw Type
- Housing Material : Polycarbonate
- Soldering : Lead-Free, Comply With RoHS
- Label : Surface Print

Wiring Diagram

