

Electronic Ballast For HID Lamps

220-240V



Approval Marks



Certified

EN 61347-1 : 2001
 EN 61347-2-1 : 2001
 EN 61347-2-3 : 2001

Product Specification

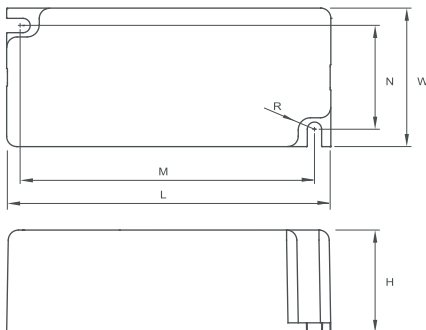
Parameter	Conditions	Min	Nom	Max	Unit
Number Of Lamps Driven		1	-	1	-
Lamp Power	25°C, Nominal Input	-	20	-	W
Input Power	25°C, Nominal Input	-	24	-	W
Rated Input Voltage	25°C	220	230	240	V
AC Input Voltage Range With Tolerance For Safety	25°C	198	-	264	V
Input Frequency	25°C	-	50-60	-	Hz
Input Current	25°C, Nominal Input	-	0.205	-	A
Power Factor	25°C, Nominal Input	-	0.55	-	-
Operating Frequency(Square Wave)	25°C, Nominal Input	-	120	-	Hz
Ignition Voltage	25°C, Nominal Input	-	2.50	4.00	KV
Operating Ambient Temperature Ta	Nominal Input	-15	-	+50	degC
Max Allowed Case Temperature Tc	25°C, Nominal Input	-	-	+75	degC
Average Service Life	at 40°C ambient	50,000	-	-	hours
Failure Rate Per 1000h Operation	at 40°C ambient	-	-	0.20%	-
End - Of - Life Protection			Yes		
Automatic Shutdown In Case Of Lamp Failure			Yes		
Thermal Protection			Yes		
Open-Circuit Protection			Yes		
Short-Circuit Protection			Yes		

Lamp Type GE CMH 20W x 1

Application Space

Indoor Use
 (Low Humidity, No Condensation)

Physical Parameter



L : 95 mm H : 30 mm
 M : 85.4 mm K :
 N : 30.4 mm R : 2.1 mm
 W : 40.6 mm Slot On One Side Allowing Alignment : M+/-3 mm

Hard Wire : Yellow / Blue / Brown / Red / White 310mm
 Housing Material : Polycarbonate
 Soldering : Lead-Free, Comply With RoHS
 Label : Surface Print

Wiring Diagram

