

**Approval Marks**



**Certified**

EN 61047:1992 + A1:1996  
 EN 61347-1:2001  
 EN 61347-2-2:2001

**Electronic**

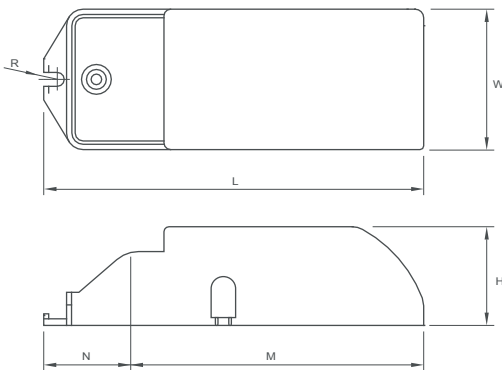
Parameter	Conditions	Min	Nom	Max	Unit
I/P Voltage Range	240VAC -8%...+6%	235	240	254	Vac
Input Frequency		50	-	60	Hz
Output Power	Wire Length<2M	10	-	60	W
Input Current	25°C,Nominal Input 240V	-	250	-	mA
Output Voltage	Full Load	-	11.5~	-	V
Output Frequency	Approx.	-	34K	-	Hz
Output Current	25°C,Nominal Input 230V	-	5	-	A
Dimming	Phase-Cut-Off Dimmer				
Power Factor(Full Load)	High Power Factor	-	0.96	-	
Protection	Overload Protection				
	Short Circuit Protection				
	Thermal Shut-Down Protection				
Ambient Temp.		-20	-	+50	°C

**Lamp Type**    **Low Voltage**  
                     **12V Halogen 10-60W**

**Application Space**  
 Indoor Use  
 (Low Humidity, No Condensation)

**Physical**

**Parameter**



L : 114.7 mm    H : 29.8 mm  
 M : 89.7 mm    K :  
 N : 25 mm      R : 2.1 mm  
 W : 42.4 mm  
 Tolerance :  $\geq 0 \sim 100 \geq \pm 0.5\text{mm}$   
                    $100 \geq \pm 1 \text{ mm}$

Terminal Block : Screw Terminal  
 Housing Material : Polycarbonate  
 Soldering : Lead-Free, Comply With RoHS  
 Label : Surface Print

**Wiring Diagram**

