

Electronic Ballast for 18-42W X 1 & 26W x 2

220-240V



Approval Marks



Certified

EN 60929:2004
EN 61347-1:2001
EN 61347-2-3:2001

Product Specification

Parameter	Conditions	Min	Nom	Max	Unit
Number Of Lamps Driven		1	-	2	-
Lamp Power	25°C, Nominal Input	15.5	-	23.5 x 2	W
Input Power	EEL=A2 Class(CELMA)	18	-	51.5	W
Rated Input Voltage	25°C	220	230	240	V
AC Input Voltage Range	25°C	198	-	264	V
DC Input Voltage Range	25°C	180	-	260	V
Input Frequency	25°C	0	50-60	-	Hz
Input Current	25°C, Nominal Input	90	-	240	mA
Power Factor	25°C, Nominal Input	0.93	0.98	-	-
Operating Frequency	25°C, Nominal Input	40	-	-	KHz
Lamp Current Crest Factor	25°C, Nominal Input	-	-	1.70	-
THD	25°C, Nominal Input	-	-	22%	-
Ballast Lumen Factor	25°C, Nominal Input	0.925	0.95	1.05	-
Starting Time	25°C, Nominal Input	-	-	1	S
Operating Ambient Temperature	Nominal Input	-25	-	+60	degC
Max Allowed Case Temperature	Minimum Input	-	-	+75	degC
Dimming Range	25°C, Nominal Input	-	-	-	-
Lamp Start At Dimming Position	25°C, Nominal Input	-	-	-	-
Average Service Life	at 60 degC ambient	50,000	-	-	hours
Failure Rate Per 1000h Operation	at 60 degC ambient	-	-	0.20%	-
End - Of - Life Protection			Yes		
Automatic Shutdown In Case Of Lamp Failure			Yes		
Automatic Restart After Lamp Replacement			Yes		

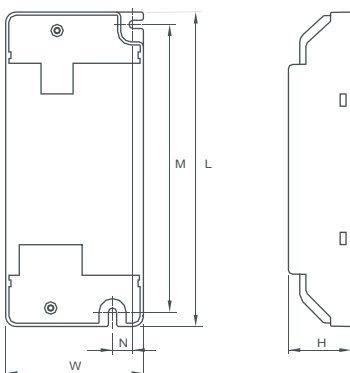
Lamp Type T5 HO 24,39W x 1 TC-L 36,40W x 1 2D 38W x 1
 T5C 22,40W x 1 TC-L 18,24W x 1~2
 T8 18,36W x 1 TC-DE 26W x 1~2
 TC-F 36W x 1 TC-TE 32,42W x 1
 TC-F 18,24W x 1~2 TC-TE 26W x 1~2

Application Space

Indoor Use
(Low Humidity, No Condensation)

Physical

Parameter



L : 153 mm H : 30.5 mm
 M : 140 mm R : 2 mm
 N : 12 mm
 W : 67 mm Slot On One Side Allowing Alignment : M+/-3 mm
 Tolerance : ≥0 ~ 100 ≥+/-0.5 mm
 100 ~ ≥+/-1 mm
 Terminal Block : Push-Button
 Housing Material : Polycarbonate
 Soldering : Lead - Free, Comply With RoHS
 Label : Surface Print

Electronic Ballast for 18-42W X 1 & 26W x 2

220-240V



Approval Marks



Certified

EN 60929:2004
EN 61347-1:2001
EN 61347-2-3:2001

Wiring Diagram

