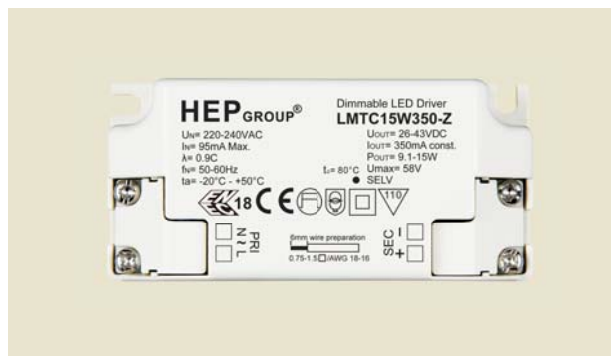


### Triac Dimming LED Driver



#### Approval Marks



Australia Certificate No. : TUV16776EA

#### Certified

EN 61347-1:2008+A1  
EN 61347-2-13:2006  
EN 62384:2006+A1

#### Electronic

Parameter	Conditions	Min	Nom	Max	Unit
I/P Voltage Range		220	230	240	Vac
Input Frequency		47	50-60	63	Hz
Input Power	High Power LED	-	20	-	W
Input current	@230Vac	-	-	95	mA
Output Voltage Range	LMTC15W300-Z	26	-	43	Vdc
	LMTC15W350-Z	26	-	43	Vdc
	LMTC15W450-Z	18	-	30	Vdc
	LMTC15W500-Z	18	-	30	Vdc
	LMTC15W600-Z	13	-	21	Vdc
	LMTC15W700-Z	13	-	21	Vdc
Output Currntn Range	LMTC15W300-Z	285	300	315	mA
	LMTC15W350-Z	332	350	368	mA
	LMTC15W450-Z	427	450	473	mA
	LMTC15W500-Z	475	500	525	mA
	LMTC15W600-Z	570	600	630	mA
	LMTC15W700-Z	665	700	735	mA
Rated Output power	LMTC15W300-Z	7.8	-	12.9	W
	LMTC15W350-Z	9.1	-	15	W
	LMTC15W450-Z	8.1	-	13.5	W
	LMTC15W500-Z	9	-	15	W
	LMTC15W600-Z	7.8	-	12.6	W
	LMTC15W700-Z	9.1	-	14.7	W
THD		-	-	20	%
Efficiency	Full Load	75	-	-	%
Standby Power	No load @230Vac	-	-	0.5	W
Rise Time		-	-	500	ms
Start-up Delay		-	-	500	ms
Output Current Overshoot		-	-	20	%
	peak to peak @ full load	-	40	-	%
Power Factor	Full Load	0.90	-	-	-
Protection	Over-voltage Protection		Auto recovery		
	Open-circuit Protection		Max output voltage at no load		
	Short-circuit Protection		Auto recovery		
Case Temperature(Tc)		-	-	+80	°C
External Operating Temperature		-20	-	+50	°C
Operating humidity range		10	-	95	%
Storage Temp. range		-40	-	+85	°C
Dimming Type			Triac dimming		
Dimming Range		10	-	100	%
Lifetime	at Max Case hot spot Temperature	-	50,000	-	hrs
Case Dimensions	LxWxH	85	40.4	22	mm

### Triac Dimming LED Driver



#### Approval Marks



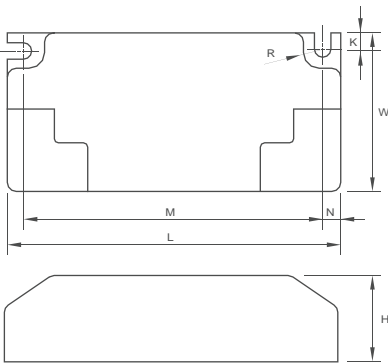
Australia Certificate No. : TUV16776EA

#### Certified

EN 61347-1:2008+A1  
 EN 61347-2-13:2006  
 EN 62384:2006+A1

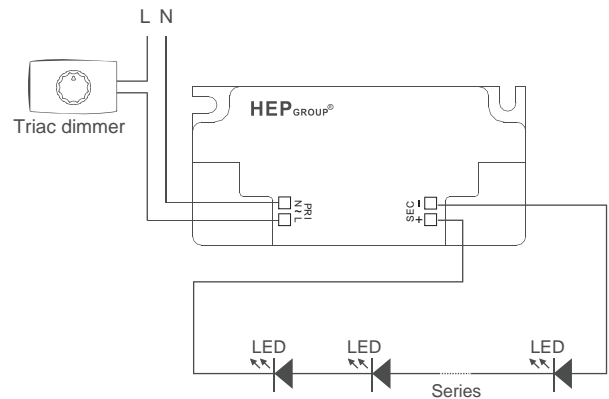
#### Physical

##### Parameter



- L : 85 mm      H : 22 mm
- M : 76.4 mm    K : 4.0 mm
- N : 4.6 mm     R : 2.1 mm
- W : 40.4 mm    Slot On One Side Allowing Alignment : M+/-3 mm
- Tolerance :  $\geq 0 \sim 100 \geq +/-.0.5\text{mm}$   
 $100 \geq +/-.1 \text{ mm}$
- Terminal Block : PRI : Screw Type  
                   SEC : Screw Type
- Housing Material : Polycarbonate
- Soldering : Lead-Free, Comply With RoHS
- Label : Surface Print

#### Wiring Diagram



The length of wire from output to luminaire should be less than 2M

The following list demonstrates the compatible phase dimmers working on the driver. Please be noted the minimum LED load connected to output of the driver should not be less than 10.5W. In case the connected LED load is less than 10.5W, it may cause LED flickering.

#### 1. Leading Edge Dimmer list approved by HEP

Manufacturer	Model
Schneider	SBD-SPL
HPM	CAT400L
JUNG	266 GDE
Legrand	5734 62
Busch	2250U
HPM	CAT300E
KIWI Electronics	K010L
CHINT	NEW7-305

#### 2. Trailing Edge Dimmer list approved by HEP

Manufacturer	Model
Schneider	CCTSE12011
CLIPSAL	32E450UDM
HPM	CAT400T
Berker	2874
Busch	6513U-102
JUNG	225 TDE
Hager	WUD42